

MULTI-TOPOLOGY PIEZOELECTRIC TRANSFORMER CONTROLLER

FEATURES

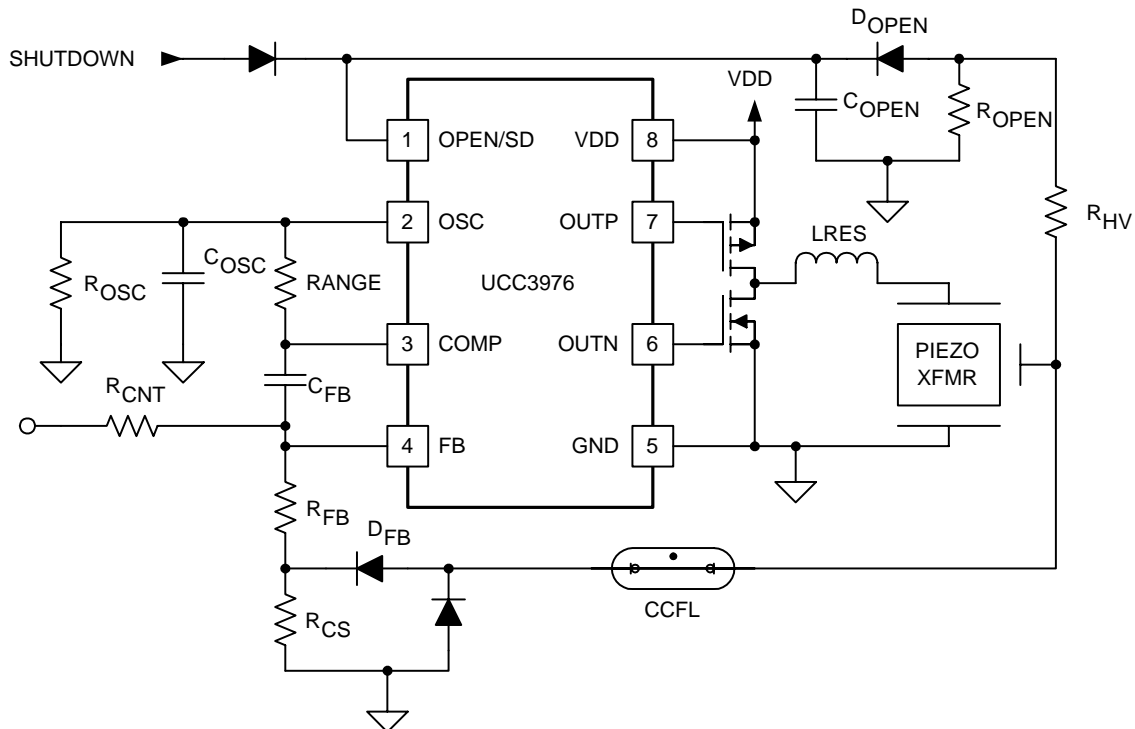
- 3-V to 13.5-V Operation
- Supports Flyback (UCC3975), Half-Bridge (UCC3976), and Push-Pull (UCC3977) Topologies
- Programmable Voltage Controlled Oscillator
- Open Lamp Protection
- Low Shutdown Current (15- μ A Typical)
- Dual MOSFET Drivers
- 8-Pin TSSOP package

APPLICATIONS

- Notebook Computers
- Portable Electronics Displays
- Portable Instruments

DESCRIPTION

Liquid crystal display (LCD) enclosures and cold cathode fluorescent lamps (CCFLs) used in notebook computer and portable electronics displays are becoming increasingly narrow, generating the need for a low profile CCFL power supply. Recent advances in single- and multi-layered piezoelectric ceramic transformers (PZT) have enabled the development of a new generation of efficient, size-reduced backlight converters. The UCC3975/6/7 family of 8-pin PZT controllers integrate the necessary circuitry for operating a PZT-based backlight supply using a flyback, half-bridge, or push-pull topology. The choice of power topology depends on application requirements such as input voltage, lamp voltage, and PZT gain.



UDG-01092

Figure 1. UCC3976-Based CCFL Power Supply Using a Resonant Half-Bridge Topology

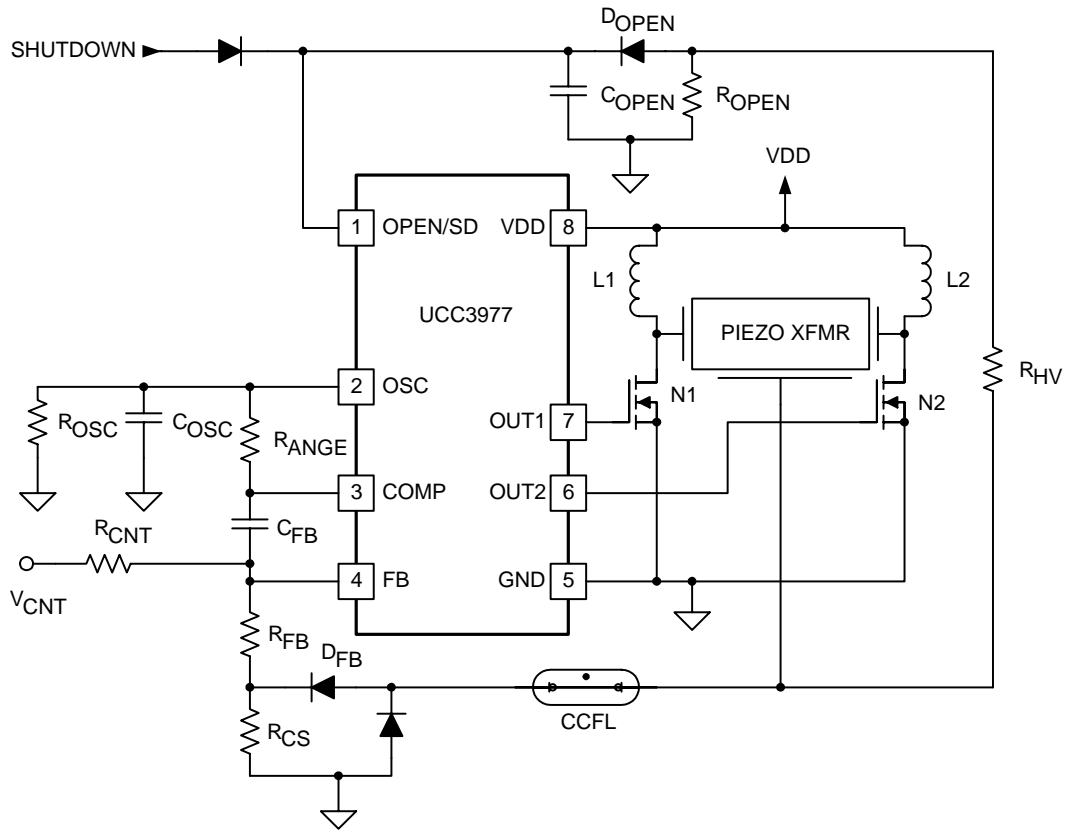
UCC2975, UCC2976, UCC2977 UCC3975, UCC3976, UCC3977

SLUS499A – NOVEMBER 2001 – REVISED JANUARY 2002

description (continued)

A half-bridge PZT converter, using the UCC3976 is shown in Figure 1. External P- and N-channel MOSFETs are driven out of phase at a fixed 50% duty cycle with anti-cross conduction circuitry provided by the controller. The half-bridge topology uses only a single magnetic component (LRES) reducing board area. As explained in the applications section of this datasheet, regulation of lamp current is achieved by controlling the operating frequency of the system.

The UCC3977 is designed to control a resonant push-pull topology as shown in Figure 2. This controller alternately drives external N-channel MOSFETs at 50% duty cycle. The push-pull topology requires two external inductors (L1 and L2), but has the advantage of providing increased voltage across the piezoelectric transformer primary. In this case a small overlap is provided to the gate drives, assuring an uninterrupted path for inductor current.

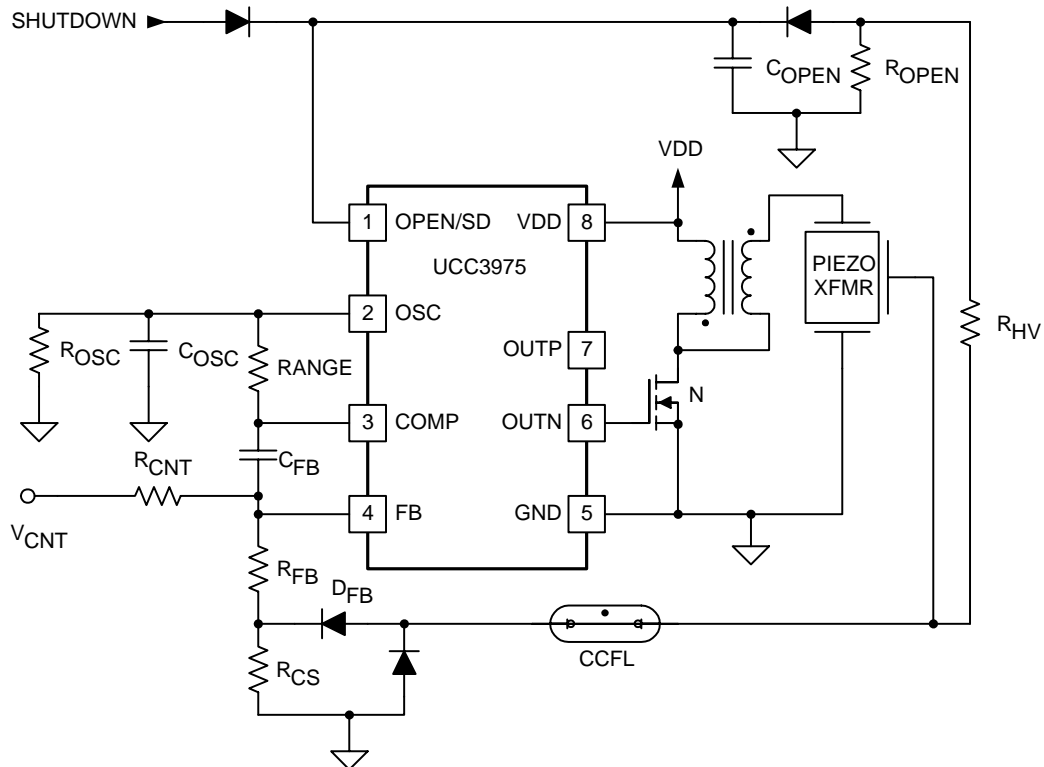


UDG-01097

Figure 2. UCC3977 Based CCFL Power Supply Using a Resonant Push-Pull Topology

For piezoelectric transformer applications requiring additional gain, a resonant flyback topology can be implemented using the UCC3975. As shown in Figure 3, a magnetic transformer (T1) provides a stepped up voltage to the piezoelectric transformer primary. When compared to a traditional high-voltage transformer used in a CCFL application, T1 is small and low profile because of its reduced turns ratio and voltage rating. In the resonant flyback application, a single switch is driven at 50% duty cycle producing a half wave rectified sinusoid at the piezoelectric transformer primary.

description (continued)



UDG-01098

Figure 3. UCC3975-Based CCFL Power Supply Using a Resonant Flyback Topology

absolute maximum ratings over operating free-air temperature (unless otherwise noted)†

Supply voltage	VDD	15 V
Input voltage	OPEN/SD, OSC, COMP, FB, VDD, OUTP	GND-0.5 V to V _{DD} +0.5 V
Storage temperature range, T _{stg}		-65°C to 150°C
Junction temperature range, T _J		-40°C to 125°C
Lead temperature 1,6 mm (1/16 inch) from case for 10 seconds		300°C

† Stresses beyond those listed under "absolute maximum ratings" may cause permanent damage to the device. These are stress ratings only, and functional operation of the device at these or any other conditions beyond those indicated under "recommended operating conditions" is not implied. Exposure to absolute-maximum-rated conditions for extended periods may affect device reliability.

§ All voltages are respect to GND.

AVAILABLE OPTIONS

T _A	PACKAGED DEVICES† TSSOP (PW)		
	TOPOLOGY		
	FLYBACK	HALF-BRIDGE	PUSH-PULL
-40°C to 85°C	UCC2975PW	UCC2976PW	UCC2977PW
0°C to 70°C	UCC3975PW	UCC3976PW	UCC3977PW

† The PW package is available taped and reeled. Add TR suffix to device type (e.g. UCC2975TRPW) to order quantities of 2500 devices per reel.

UCC2975, UCC2976, UCC2977 UCC3975, UCC3976, UCC3977

SLUS499A – NOVEMBER 2001 – REVISED JANUARY 2002

electrical characteristics $V_{DD} = 3\text{ V to }13.5\text{ V}$, $T_A = 0^\circ\text{C to }70^\circ\text{C}$ for UCC3975/UCC3976/UCC3977, $T_A = -40^\circ\text{C to }85^\circ\text{C}$ for the UCC2975/UCC2976/UCC2977, $T_A = T_J$ (unless otherwise noted)

input supply

PARAMETER	TEST CONDITIONS	MIN	TYP	MAX	UNITS
VDD supply current	Normal, $V_{DD} = 12\text{ V}$		1	2.5	mA
	Shutdown		20	100	μA
VDD UVLO (turn-on) threshold voltage		2.70	2.85	3.00	V
UVLO hysteresis		100	200	300	mV

output

PARAMETER	TEST CONDITIONS	MIN	TYP	MAX	UNITS
P-channel driver output voltage, V_{OUTP}	$I_{PIN} = 100\text{ mA}$, Driving logic low		0.5	0.9	V
P-channel driver output voltage, $(V_{DD} - V_{OUTP})$	$I_{PIN} = -100\text{ mA}$, Driving logic high		0.5	0.9	
Low-level N-channel driver output voltage, V_{OUTN}	$I_{PIN} = 100\text{ mA}$, Driving logic low		0.5	0.9	
High-level N-channel driver output voltage, $(V_{DD} - V_{OUTN})$	$I_{PIN} = -100\text{ mA}$, Driving logic high		0.5	0.9	
Rise time	$V_{DD} = 5\text{ V}$, $C_L = 1\text{ nF}$, See Note 1		200		ns
Fall time			200		
Dead (overlap) time		See Note 1		250	

oscillator

PARAMETER	TEST CONDITIONS	MIN	TYP	MAX	UNITS
Upper threshold voltage		1.6	1.7	1.8	V
Lower threshold voltage		0.65	0.70	0.80	
Frequency	$R_{OSC} = 24\text{ k}\Omega$, $C_{OSC} = 470\text{ pF}$	95	100	105	kHz

error amplifier

PARAMETER	TEST CONDITIONS	MIN	TYP	MAX	UNITS
Input voltage		1.465	1.500	1.535	V
Line regulation voltage	$3\text{ V} \leq V_{DD} \leq 13.5\text{ V}$	-2	2	6	mV
Input bias current		-500	-100		nA
Open loop gain	$0.5\text{ V} \leq \text{COMP} \leq 3.0\text{V}$, See Note 1	60	80		dB
Low-level output voltage	FB = 2 V, OPEN/SD = 1 V, $I_{COMP} = 0.23\text{ mA}$		0.08	0.15	V
	FB = 1 V, COMP = 2 V	1.5		5.0	mA
Output source current	FB = 1 V, COMP = 2 V, OPEN/SD = 3 V	-10		10	μA
	FB = 2 V, COMP = 2 V	2.5	4.5	6	mA
Output sink current	FB = 2 V, COMP = 2 V, OPEN/SD = 3 V	-10		10	μA
	$T_J = 25^\circ\text{C}$, See Note 1		2		MHz

NOTE: 1. Ensured by design. Not production tested.

electrical characteristics $V_{DD} = 3\text{ V to }13.5\text{ V}$, $T_A = 0^\circ\text{C to }70^\circ\text{C}$ for UCC3975/UCC3976/UCC3977, $T_A = -40^\circ\text{C to }85^\circ\text{C}$ for the UCC2975/UCC2976/UCC2977, $T_A = T_J$ (unless otherwise noted)

mode select

PARAMETER	TEST CONDITIONS	MIN	TYP	MAX	UNITS
Shutdown threshold voltage		2.45	2.50	2.65	V
Restart threshold voltage		0.3	0.5	0.7	
Open lamp detect enable threshold voltage	UCC2975 UCC2976 UCC2977	1.3	1.5	1.6	V
	UCC3975 UCC3976 UCC3977	1.4	1.5	1.6	
MODE pull-down current		200	250	300	mA
No lock threshold voltage		2.4	2.5	2.6	V

functional block diagram

The UCC397x family of controllers contain an error amplifier whose output is preconditioned at startup, a precision window comparator used to form the VCO, and dual MOSFET drivers customized for half-bridge or push-pull operation. The part includes a frequency lock retry circuit, low current shutdown, and open lamp fault protection.

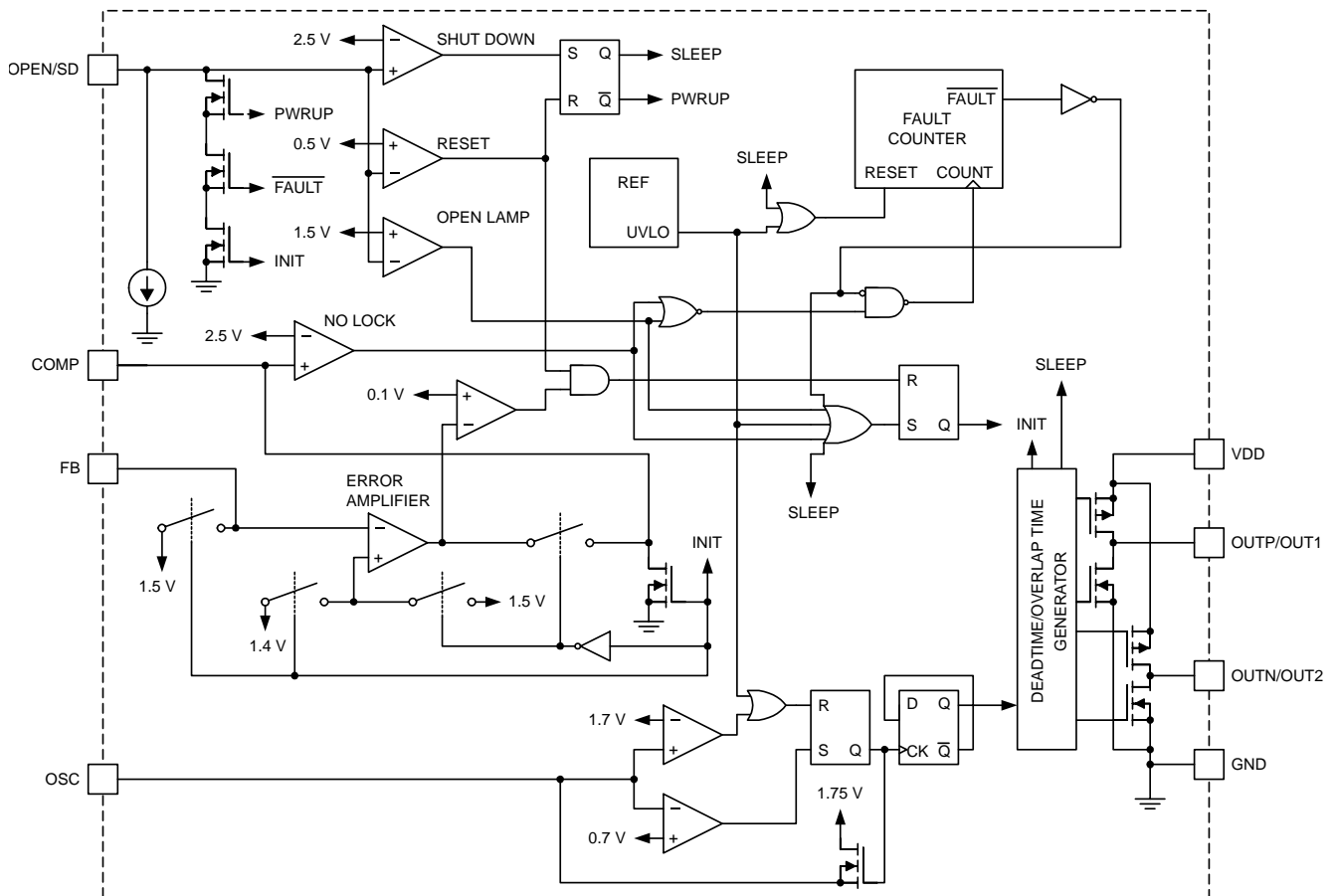


Figure 4

UDG-01053

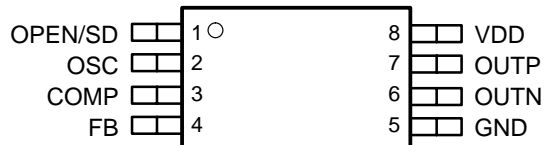
UCC2975, UCC2976, UCC2977 UCC3975, UCC3976, UCC3977

SLUS499A – NOVEMBER 2001 – REVISED JANUARY 2002

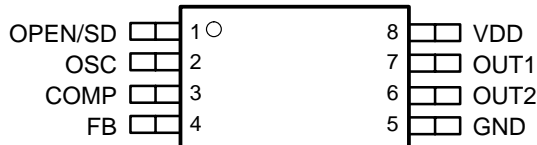
Terminal Functions

TERMINAL		I/O	DESCRIPTION
NAME	NO.		
	UCCx975		
	UCCx976 UCCx977		
COMP	3	O	Output of the error amplifier and control voltage used to set the VCO frequency
FB	4	I	Inverting input to the error amplifier
GND	5	O	Ground reference for the device
OPEN/SD	1	I	Open lamp protection and a low power shut down
OSC	2	I	Common connection point for components that control the frequency range for the voltage controlled oscillator (VCO)
OUTP/OUT1	7	O	Output of an internal CMOS driver used to drive an N-channel MOSFET (for UCC3977), or a P-channel MOSFET (for UCC3976) left open for UCC3975
OUTN/OUT2	6	O	Output of an internal CMOS driver used to drive an N-channel MOSFET.
VDD	8	O	Connects to the battery or system voltage

**UCC2975, UCC2976
UCC3975, UCC3976
PW PACKAGE
(TOP VIEW)**



**UCC2977, UCC3977
PW PACKAGE
(TOP VIEW)**



pin assignments

OPEN/SD: This dual-purpose pin provides open lamp protection and a low power shutdown capability for the part. This pin can also be used to provide burst mode dimming explained in the applications section that follows.

open lamp function

During startup this pin is internally driven low setting the initial condition for the open lamp circuit. An external peak detection circuit interfaces between this pin and the lamp. If the voltage at the pin exceeds 1.5 V, an open lamp is assumed and the part re-initiates a startup sequence up to 7 times. If the lamp fails to strike after 7 tries, the device enters an error shutdown mode. An open lamp induced shutdown can be cleared either by cycling power on the device or by pulling the pin above 2.5 V and then below 0.5 V.

shutdown function

The device is put into shutdown mode (15- μ A of typical quiescent current) by forcing the pin above 2.5 V. When this pin is subsequently brought below 0.5 V, the device comes out of shutdown mode and initiates a new startup cycle. This pin can be used to delay startup until the system voltage is sufficient to strike and operate the piezoelectric transformer.

OSC: This pin is the common connection point for components that control the frequency range for the voltage controlled oscillator (VCO). An external RC circuit connected from this pin to ground sets the center frequency for the VCO, where a second resistor connected from this pin to the COMP pin sets the allowable frequency range. A precision window comparator is used to keep the exponentially decaying ramp voltage at this pin between 0.7 V and 1.7 V. When the voltage decays below 0.7 V, an internal pull-up circuit charges this pin to 1.7 V, the voltage is then allowed to decay to 0.7 V at a rate determined by the external components. Equations are provided in the applications section to assist in determining the size of the external components to achieve the desired frequency range.

COMP: This pin is the output of the error amplifier and control voltage used to set the VCO frequency. During startup internal switches precondition this output to 0 V producing the maximum frequency of operation. The error amplifier is then allowed to slew its output voltage until the lamp strikes and lamp current is regulated. The slew rate is set by the external feedback components. If this pin reaches 2.5 V, regulation was not achieved and startup will be re-initiated up to 7 times.

FB: This is the inverting input to the error amplifier. This input is compared to 1.5 V and is used to control lamp current.

OUTP/OUT1: This pin is the output of an internal CMOS driver used to drive an N-channel MOSFET in the case of the UCC3977 or a P-channel MOSFET in the case of the UCC3976. This pin is low slightly less than 50% duty cycle in the case of the UCC3976 to prevent cross-conduction and is high slightly more than 50% duty cycle in the case of the UCC3977 to provide overlap. This pin is left open for the UCC3975.

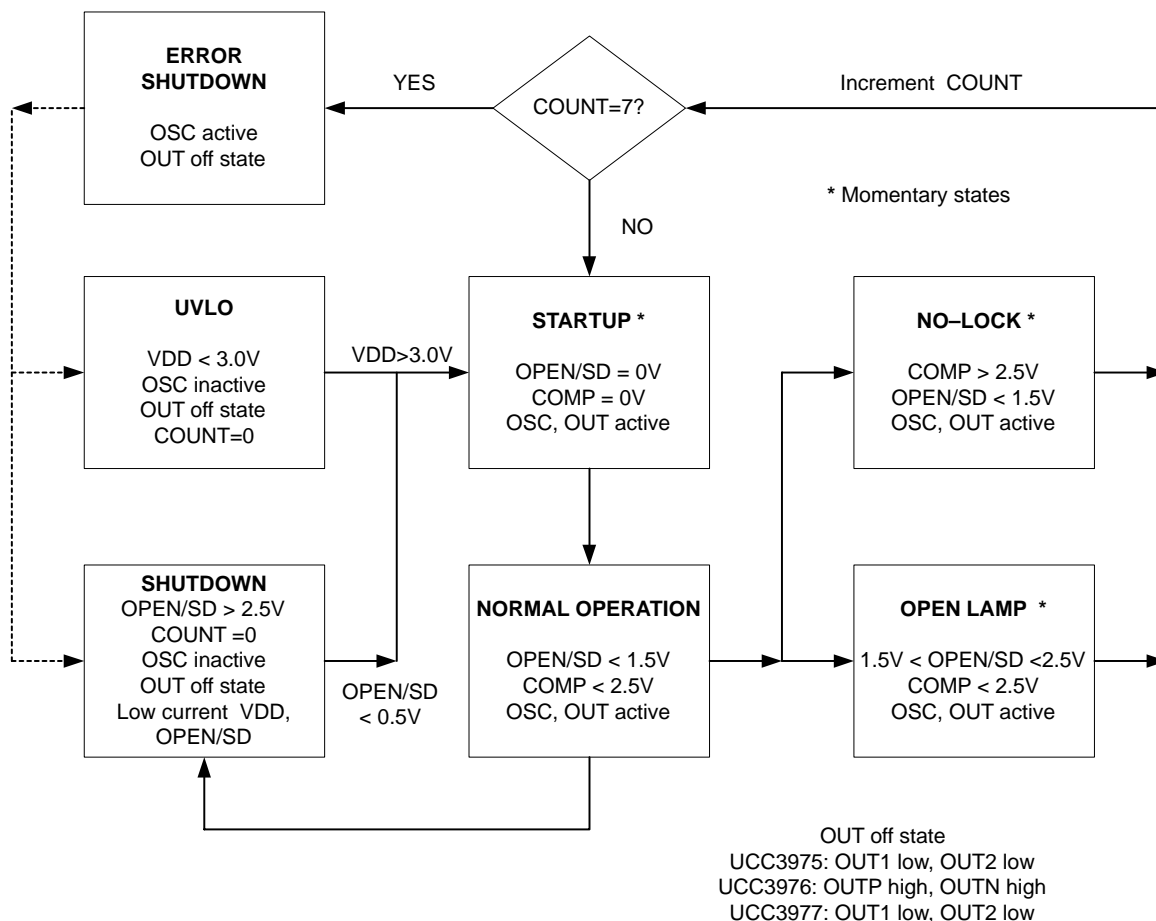
OUTN/OUT2: This pin is the output of an internal CMOS driver used to drive an N-channel MOSFET in the case of the UCC3975 and UCC3976 or the second N-channel MOSFET in the case of the UCC3977. This pin is high slightly less than 50% duty cycle in the case of the UCC3975 and UCC3976. The pin is high slightly more than 50% duty cycle in the case of the UCC3977 to provide overlap.

VDD: This pin connects to the battery or system voltage. This pin should be bypassed with a minimum of 0.1- μ F of capacitance directly at the device, with an additional 5- μ F to 10- μ F low ESR bulk capacitor (ceramic is preferred).

GND: Ground reference for the device. This pin should be used as the common ground point for power and signal level ground traces.

state diagram

A logic state diagram for the UCC397x family of controllers is shown in Figure 5. During power-up the controller transitions from UVLO to the momentary startup state. During startup, the COMP pin is preconditioned at maximum frequency and the OPEN/SD capacitor is discharged before beginning normal operation. In the normal operating state, the frequency is swept from high to low allowing the lamp to be struck and the current in the lamp to be regulated.



UDG-01102

Figure 5. State Diagram

The normal operating state can be exited in one of four ways:

- bringing $V_{DD} < 3\text{ V}$
- a user commanded shutdown ($OPEN/SD > 2.5\text{ V}$)
- an open lamp condition ($OPEN/SD > 1.5\text{ V}$), or
- if the device fails to achieve regulation before reaching minimum frequency ($EAO > 2.5\text{ V}$).

The latter two conditions cause an internal retry counter to increment before attempting another startup. If the application does not operate normally after seven retries, the controller enters an error induced shutdown state removing power to the load. The error state and counter can be cleared by removing V_{DD} to the part or by a user commanded shutdown.

APPLICATION INFORMATION

PZT operation

Ceramic piezoelectric transformers were first proposed by C.A. Rosen in 1956. Unlike magnetic transformers that rely on electromagnetic energy transfer, PZTs transfer electric potential to mechanical force as shown in Figure 6. The electrical-to-mechanical conversion of energy is referred to as the *reverse piezoelectric effect* whereas the mechanical-to-electrical energy conversion is referred to as the *direct piezoelectric effect*.

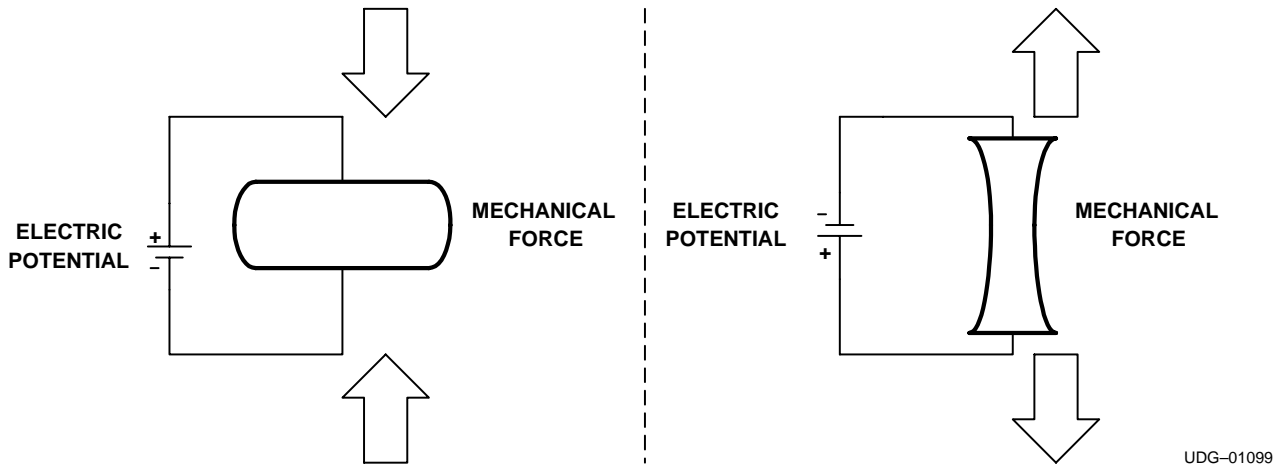


Figure 6. Piezoelectric Effect

Each manufacturer has a unique *recipe* of materials and structural layering that determine their PZT's operating characteristics. Common materials used to make PZTs include lead zirconate, lead titanate and lithium niobate. Single layer PZTs are less costly and easier to manufacture, but have a lower voltage gain (typically 5 to 10) and may require a step-up magnetic transformer in order to operate the lamp. Multi-layered PZT designs are more difficult to manufacture, but have a higher voltage gain (20 to 70) allowing a CCFL to be driven using conventional off-the-shelf inductors.

APPLICATION INFORMATION

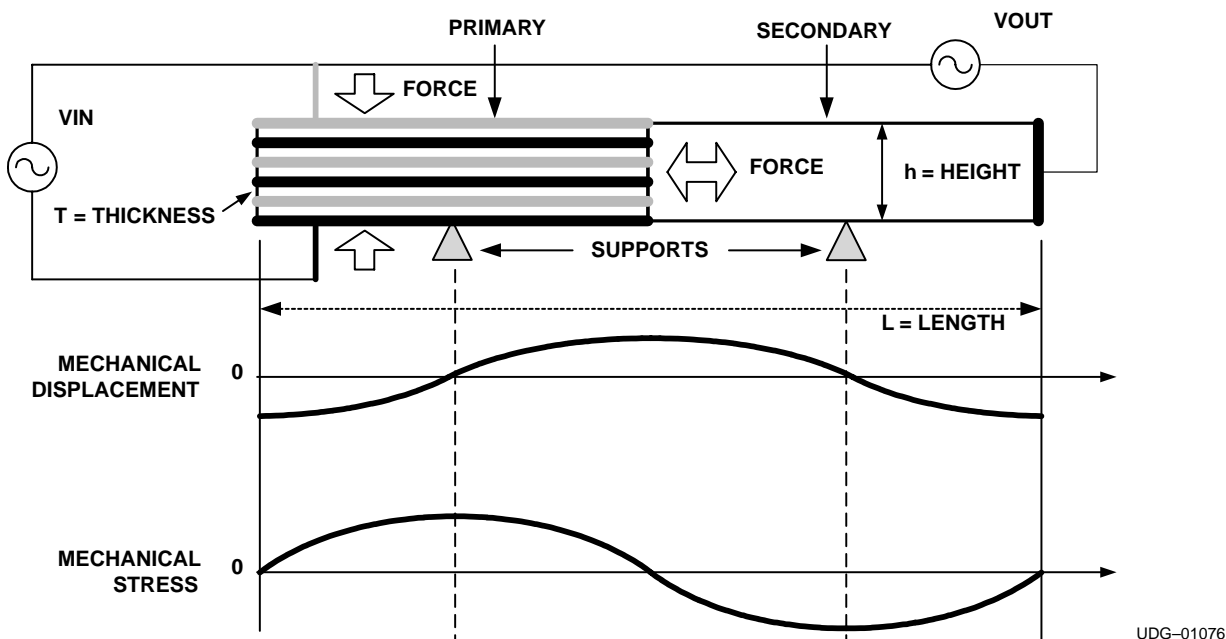


Figure 7. Typical Longitudinal Mode Piezoelectric Transformer for CCFL Applications.

A typical multi-layer PZT with *longitudinal mode* geometry is shown in Figure 7, a single layer design would have similar construction without the layering on the primary. An ac voltage is applied to the V_{IN} electrodes causing mechanical expansion and compression in the thickness direction (see Figure 6). This displacement on the primary is transferred as a force in the longitudinal direction. Supports at $\frac{1}{4}$ and $\frac{3}{4}$ wavelength provide a means for a standing wave to be generated at a resonant frequency as shown. Mechanical resonance occurs at multiple standing wave frequencies (n) based on the transformer’s length and material velocity (v).

$$f_n = n \frac{v}{2 \times \text{length}} \tag{1}$$

Voltage gain is a function of the PZT material coefficient $g[\omega]$, the number of primary layers, the thickness of the material and the overall length as follows:

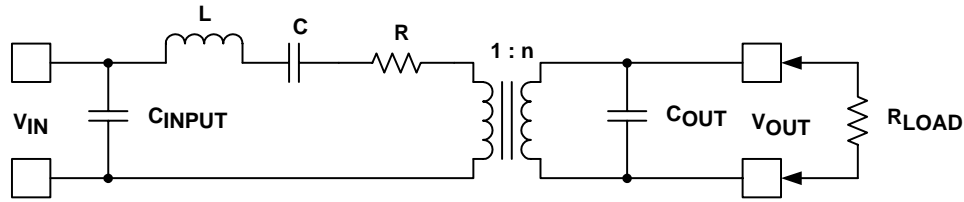
$$V_{GAIN} = \frac{\text{length} \times \text{layers}}{\text{thickness}} \times g[\omega] \tag{2}$$

An electrode at V_{OUT} is used to recover the amplified electrical potential at the secondary.

PZT electrical model

In order to predict PZT performance in a system, it is useful to develop an electrical circuit model. The model shown in Figure 8 is often used to describe the behavior of a PZT near the fundamental resonant frequency. Many PZT manufacturers will provide component values for the model based on measurements taken at various frequencies and output loads.

APPLICATION INFORMATION



UDG-01100

Figure 8. Equivalent Piezoelectric Transformer Circuit Model

The component values depend on the PZT's construction. A large primary capacitance (C_{INPUT}) is formed as a result of the multi-layer construction of the primary electrodes and material dielectric constant. The output capacitance is much smaller due to the distance between the primary and secondary electrodes. Typical values of C_{INPUT} and C_{OUT} for a multi-layer PZT may be 0.2 μF and 20 pF respectively, where a single layer design would have lower C_{INPUT} since layers = 1.

$$C_{INPUT} = \frac{\text{length} \times \text{width} \times \text{layers} \times \epsilon}{2 \times \text{thickness}} \quad (3)$$

$$C_{OUTPUT} = \frac{2 \times \text{thickness} \times \text{width} \times \epsilon}{\text{length}} \quad (4)$$

C_{INPUT} and an external transformer or inductor(s) are used to form a primary-side L-C resonant circuit as depicted in Figures 1, 2 and 3. These circuits provide sinusoidal waveforms at the primary, allowing the PZT to operate at higher efficiency. The mechanical resonant frequency (ω_0) of the PZT (which differs from the natural primary L-C resonant frequency) is proportional to the material elasticity (Y), density (ρ) and length.

$$\omega_0 \propto \frac{1}{\text{length}} \sqrt{\frac{Y}{\rho}} \quad (5)$$

The mechanical piezoelectric gain near a single resonant frequency can be modeled by a series R, L, and C circuit as depicted in Figure 8.

$$\omega_0 = \frac{1}{\sqrt{L \times C}} \quad (6)$$

$$Q = \omega_0 \times \frac{L}{R} \quad (7)$$

Figure 9 illustrates the gain-vs-output load and frequency characteristics for a 12-layer, 70-kHz PZT with the following Figure 8 values:

- $C_{INPUT} = 0.2 \mu\text{F}$
- $C_{OUT} = 30 \text{ pF}$
- $n = 30$
- series RLC (2 Ω , 1 μH , 6 nF)

As shown in Figure 9, the ceramic transformer provides high Q and gain under light or no-load conditions producing a high-strike potential. Once the lamp strikes the transformer becomes loaded, causing the transformer gain to decrease and resonant frequency to shift. The piezoelectric transformer is typically operated on the right side of resonance to allow the lamp to be struck and operated with a single direction control circuit. A typical application has separate start (A), strike (B), and operating (C) frequencies (see Figure 9).

APPLICATION INFORMATION

lamp characteristics

A cold cathode fluorescent lamp has non-linear V-I characteristics as shown in Figure 10. The lamp's intensity (lumens) is roughly proportional to lamp current where lamp voltage remains somewhat constant over the operating range. Lamp voltage is dependant on the diameter and length of the lamp used in the application. This results in increased impedance when the lamp is dimmed. The impedance of the lamp will influence the gain of the piezoelectric transformer (see Figure 9) and thus the operating frequency of the system.

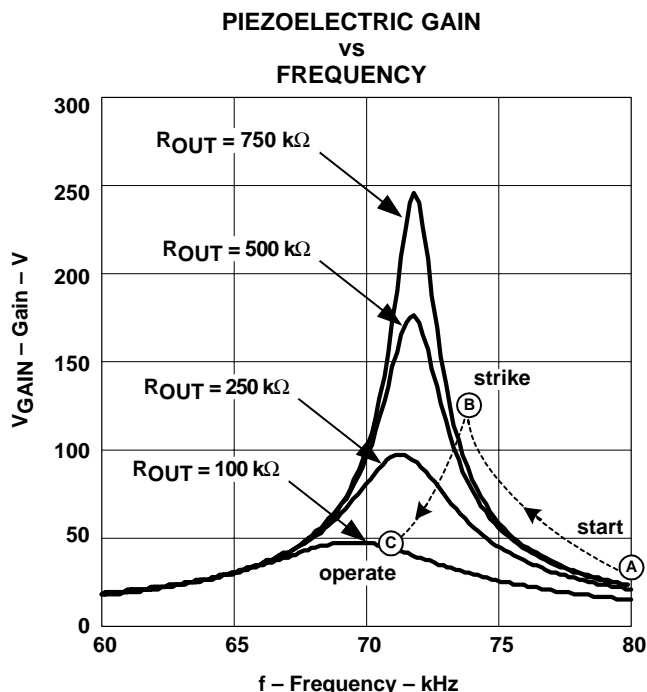


Figure 9

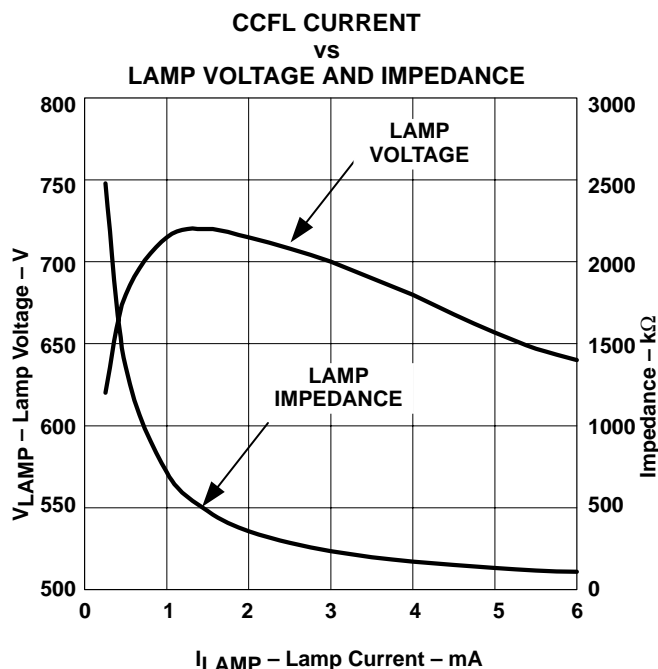


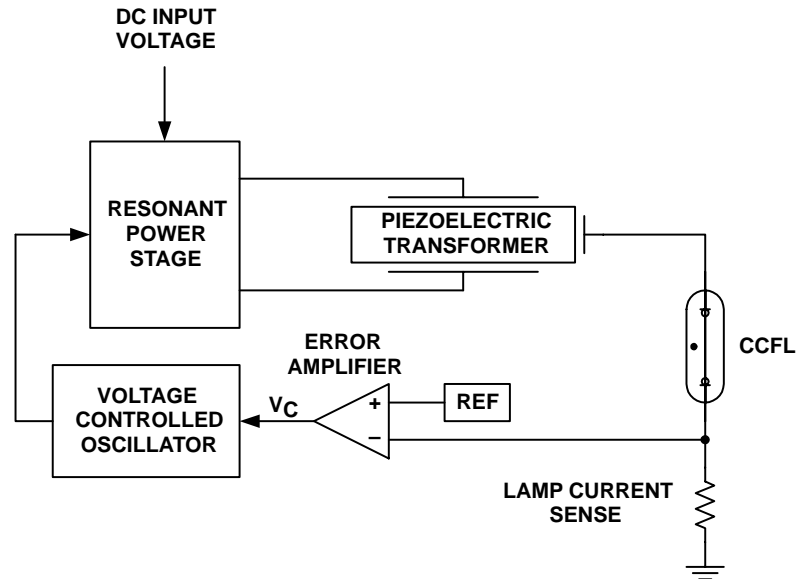
Figure 10

variable frequency control system

A simplified block diagram of a PZT based backlight converter is shown in Figure 11. The PZT is driven by a resonant power stage whose amplitude is proportional to input voltage. The PZT then provides the voltage gain necessary to drive the lamp. A control loop is formed around the error amplifier that compares average lamp current to a reference signal (REF) allowing the intensity of the lamp to be regulated. The resulting control voltage V_C drives a VCO that determines the operating frequency of the resonant power stage.

The frequency range of the VCO must include the strike and operating frequencies of the PZT with some tolerance included for component variation. Minimizing the programmable range improves the control response of the feedback loop. For example, a frequency range of 67 kHz to 77 kHz might be used for the PZT in Figure 9. The gain of the PZT must guarantee sufficient lamp voltage at minimum input voltage to ensure that the control loop will always operate on the right side of resonance.

APPLICATION INFORMATION



UDG-01101

Figure 11. Control System for Variable Frequency PZT Backlight Control

programming the frequency range

The frequency range of the UCC397x family is programmed with external components R_{OSC} , C_{OSC} , and R_{ANGE} (see Figures 2 and 3). The programmed range should include the strike and operating frequency required for lamp operation, plus sufficient tolerance for component variations. An accurate NPO capacitor is recommended for C_{OSC} (between 100 pF and 1000 pF) while 1% resistors are recommended for R_{OSC} and R_{ANGE} . The VCO frequency is determined by the charge and decay times between 0.7 V and 1.7 V at the OSC pin. When the voltage reaches 0.7 V, an internal pull-up circuit charges OSC back to 1.7 V, the charge time (t_{CHG}) varies with the value of C_{OSC} but is typically on the order of 500 ns. The decay time (t_{DISCH}) is determined by the value of C_{OSC} and the discharge currents generated in R_{OSC} and R_{ANGE} . The nominal discharge time at OSC is set by R_{OSC} and C_{OSC} (see equation [8]), the frequency range is programmed by adjusting the discharge time with the R_{ANGE} resistor and the COMP voltage (see equation [9]):

nominal

$$t_{DISCH} = R_{OSC} \times C_{OSC} \times \ln\left(\frac{1.7}{0.7}\right) \tag{8}$$

with lamp

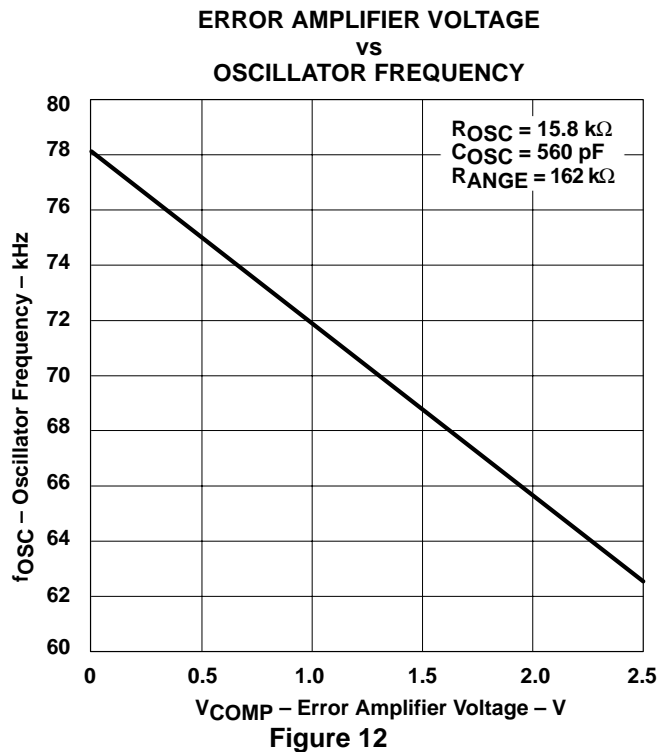
$$t_{DISCH}(V_{COMP}) = \frac{R_{OSC} \times R_{ANGE} \times C_{OSC}}{R_{OSC} + R_{ANGE}} \times \ln \left[\frac{1.7 (R_{OSC} + R_{ANGE}) - V_{COMP} \times R_{OSC}}{0.7 (R_{OSC} + R_{ANGE}) - V_{COMP} \times R_{OSC}} \right] \tag{9}$$

resulting frequency

$$\text{Frequency}(V_{COMP}) = \frac{1}{t_{CHG} + t_{DISCH}(V_{COMP})} \tag{10}$$

APPLICATION INFORMATION

Equations 8 and 9 are derived by solving Laplace or differential equations for the RC decay time from 1.7 V to 0.7 V with and without the effect of V_{COMP} . The resulting frequency of the system is given in equation 10. This frequency should be verified in the lab and may need adjustment depending on factors such as extra capacitance at the OSC pin (oscilloscope measurements can affect frequency) as well as noise. Figure 12 shows the resulting frequency-to-control voltage relationship with the component values listed below the figure and a t_{CHG} time of 500 ns.



APPLICATION INFORMATION

setting lamp current

The lamp current is controlled by adjusting the frequency of the PZT. System frequency and lamp current control is accomplished through the error amplifier (EA) and the voltage controlled oscillator (VCO) as shown in Figure 12. Lamp current is sensed at RCS and is averaged at EA– by RFB and CFB.

$$V_{CS} = I_{LAMP} \times RCS \times \frac{\sqrt{2}}{\pi} \quad (11)$$

Equation (11) assumes the error amplifier loop is closed, the relationship between V_{CS} and V_{CNT} (dimming control voltage) is given in equation (4).

$$1.5 \text{ V} = \frac{(V_{CNT} \times R_{FB}) + (V_{CNT} \times R_{CNT})}{R_{FB} + R_{CNT}} \quad (12)$$

The relationship between control voltage and lamp current can be easily programmed for the application. For example suppose maximum lamp current is 5 mA ($V_{CNT} = 0 \text{ V}$) and minimum lamp current is 1 mA ($V_{CNT} = 3 \text{ V}$). R_{CS} is calculated to be 1100 Ω by using equation (12) and setting the lamp current to 3 mA ($V_{CNT} = 1.5 \text{ V}$, $V_{CS} = 1.5 \text{ V}$). R_{CNT} is calculated to be 150 k Ω by selecting R_{FB} at 100 k Ω and solving equation (12) at maximum lamp current ($V_{CNT} = 0 \text{ V}$, $I_{LAMP} = 5 \text{ mA}$). Using these, the resulting control voltage to lamp current equation becomes:

$$I_{LAMP} = \frac{3.75 - V_{CNT}}{742} \quad (13)$$

- $R_{CS} = 1100 \Omega$
- $R_{CNT} = 150 \text{ k}\Omega$
- $R_{FB} = 100 \text{ k}\Omega$

sizing the feedback capacitor

Feedback design with a PZT requires both modeling and measurement. The uncompensated feedback gain for the system is primarily affected by the gain slope of the PZT near its resonant operating frequency as shown in Figure 9. For most designs, the safe unity gain crossover frequency of the feedback loop will be determined by the amount of gain peaking that occurs at the resonant frequency of the PZT transformer. R_{FB} and C_{FB} are selected to have a fairly low crossover frequency to ensure that the system gain does not increase above unity at the resonant switching frequency. Since the gain slope is dependant on the lamp load and PZT model, it is recommended that a network analyzer is used to validate sufficient gain and phase margin for the design.

A simple first order (or integral) feedback stage is used to stabilize the feedback response of the system. Selection of the feedback capacitor (C_{FB}) and resistor (R_{FB}) is primarily dependant upon the small signal gain of the system and the desired sweep rate of the VCO. If the frequency is swept too rapidly at startup (with an undersized C_{FB}), the feedback loop will not stabilize after the lamp is struck and the controller will cycle through the VCO frequency range without locking. A feedback capacitor that is too large has poor transient performance.

A C_{FB} value of 0.1 μF is usually a good starting point for most designs if R_{FB} is 100 k Ω . With analog dimming, the C_{FB} value must be large enough to be stable at high V_{IN} and minimum lamp current (maximum PZT gain slope and load). The C_{FB} value can be decreased with burst dimming since the lamp is operated at full load where the PZT gain slope is reduced.

APPLICATION INFORMATION

matching the PZT to the lamp, input voltage and topology

A fundamental challenge in the design of a piezoelectric transformer-based CCFL application is to match the lamp's power requirements with the transformer. Since the piezoelectric transformer is a mechanical system, the energy delivered by the transformer is a function of its mass and its vibrational velocity (v).

$$\text{energy} \propto \text{mass} \times v^2 \tag{14}$$

The power delivered by the transformer is described in equation (15):

$$\text{power} = \text{energy} \times \frac{d}{dt} = \text{energy} \times \text{frequency} \tag{15}$$

The design challenge becomes how operate the transformer within its gain and power delivering capabilities while optimizing overall system efficiency. This optimization requires knowledge of both the lamp and piezoelectric transformer for the particular application. Achieving optimal efficiency with a given lamp and piezoelectric transformer will require bench measurements and design iterations. There are several factors that should be taken into consideration when selecting a piezoelectric transformer:

- What is the recommended input voltage for the PZT?
- What is the input capacitance of the PZT?
- What is the gain of the transformer at various load conditions? (see Figure 9)
- At what frequency does the PZT give maximum gain?

The recommended input voltage and gain of the piezoelectric transformer influence the power topology selection. As mentioned earlier, the half-bridge topology gives the least gain where the push-pull topology doubles the primary voltage. The flyback topology can provide additional gain through the flyback transformer.

The input capacitance and operating frequency of the piezoelectric transformer determines the required value of the external inductor(s) (or transformer inductance in the case of the flyback). The external inductance value may need to be further optimized to get the best performance.

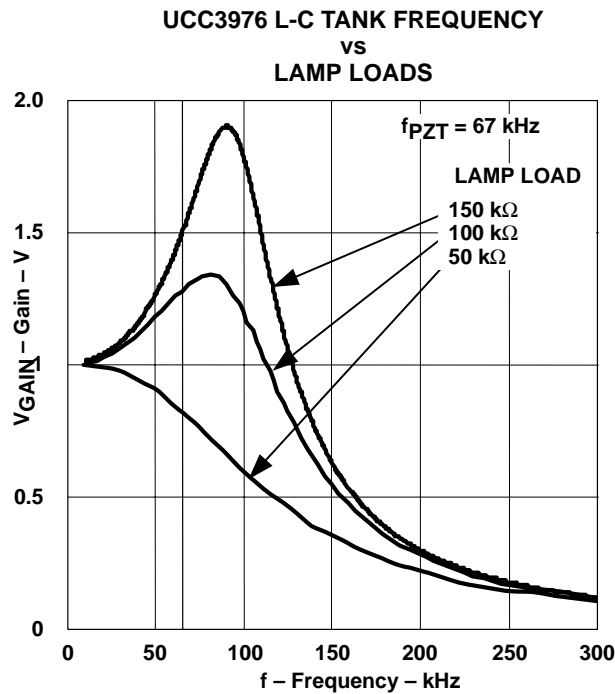
APPLICATION INFORMATION

half-bridge operation and inductor selection

In the half-bridge topology, the external inductor and piezoelectric capacitance form a low-pass filter between the common switch node of the external MOSFETs and the piezoelectric primary as shown on the front page. The L-C filter formed by these components should pass the resonant frequency, required by the piezoelectric transformer, yet attenuate higher harmonic components. The choice of inductor will require bench measurements and modeling of the resonant circuit:

- An inductor value that is too low (high L-C resonant frequency) will result in non-sinusoidal primary waveforms since higher order harmonics are allowed through the filter. A low value also allows excess circulating currents, impacting efficiency.
- An inductor value that results in a L-C resonant frequency close to the resonant frequency of the piezoelectric transformer causes interference, making control of the primary voltage difficult. The interference occurs since the gain of the L-C tank depends heavily on load in this region of operation.
- An inductor value that is too large causes an attenuation of the input voltage, increasing the gain requirements of the piezoelectric transformer and/or the system.

As an example, suppose a piezoelectric transformer is selected that operates efficiently at 67 kHz (similar to Figure 9) and has 0.2- μ F of primary capacitance. An external inductance value of 15 μ H gives a L-C filter corner frequency of 92 kHz. The L-C circuit would provide little attenuation at 67 kHz yet attenuate higher harmonics.



APPLICATION INFORMATION

half-bridge operation and inductor selection (continued)

Waveforms for the UCC3976 half-bridge circuit operated with a 12-Vdc input are shown in Figure 14. P- and N-Channel MOSFETs are driven out of phase with 50% duty cycle producing a square wave at the drains (see Figure15: trace 1). Inductor LRES and the PZT primary capacitance form a low-pass filter. The resulting in a near sinusoid across the PZT primary (trace 2). Due to the high Q of the PZT, lamp voltage (trace 4) is sinusoidal. Lamp current is sensed by the half-wave rectification circuit at RCS (trace 3). Lamp current is in phase with lamp current since the load is primarily resistive with some capacitance due to the reflector's proximity to the lamp. The lamp reflector should be grounded for safety reasons and in order to keep the secondary capacitance constant allowing the PZT load to be constant.

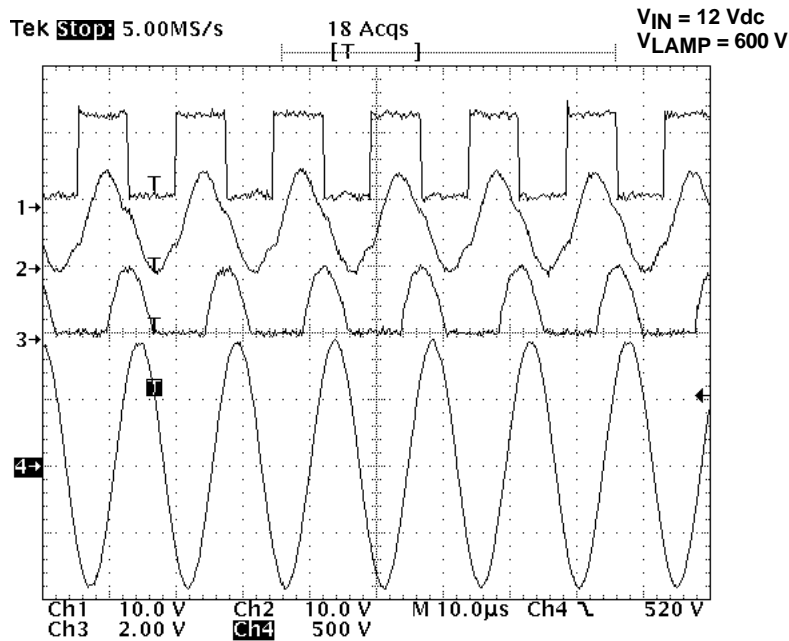


Figure 14. UCC3976 Half-Bridge Waveforms

APPLICATION INFORMATION

push-pull operation and inductor selection

For the push-pull circuit, MOSFETs N1 and N2 are driven out of phase with 50% duty cycle at variable frequency (see Figure 15: trace 2). Inductors L1 and L2 resonate with the PZT primary capacitance, forming a half sinusoids at the drain of N1 (trace 1) and S2 (trace 4). The resulting voltage across the PZT primary is a near sinusoid (trace M1). Due to the high Q of the ceramic transformer, the lamp voltage, which is approximately 600 V in this application, is sinusoidal (trace 3). In order to achieve zero-voltage switching, each drain voltage must return to zero before the next switching cycle. This dictates that the L-C resonant frequency be greater than the switching frequency. The maximum inductance to meet these conditions can be found from equation (16):

$$L < \frac{1}{4 \times \pi^2 \times f^2 \times C_p} \tag{16}$$

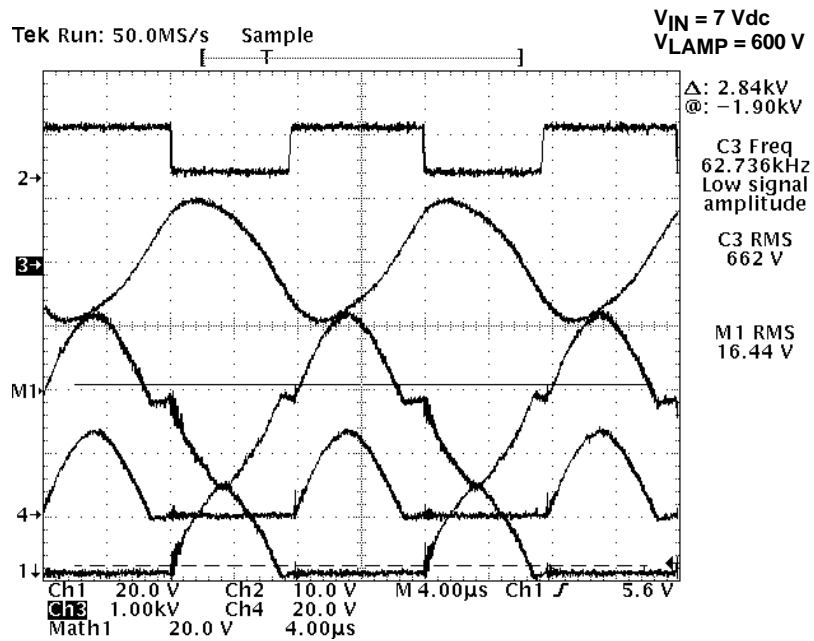


Figure 15. UCC3977 Push-Pull Waveforms

APPLICATION INFORMATION

flyback operation

For single layer PZT applications requiring additional gain, a resonant flyback topology can be implemented as shown in Figure 16. In the resonant flyback application, a single N-channel switch is driven at 50% duty cycle producing a half sinusoid at the drain (see Figure 16: trace 1). The magnetic transformer provides a stepped up voltage to the PZT primary (trace 4). The resulting lamp voltage at the PZT secondary, which is approximately 250 V in this case, is sinusoidal resulting from the high Q of the ceramic transformer (trace 3). When compared to a high-voltage magnetic CCFL transformer, the magnetic step-up transformer is small and low profile because of the reduced turns ratio (3.5:1) and voltage rating. To ensure zero-voltage switching, as in the case of the push-pull converter, equation (16) must be validated. The L-C relationship can be analyzed on either the primary or secondary side of the magnetic transformer. If viewed from the primary, PZT capacitance is reflected by the turns ratio.

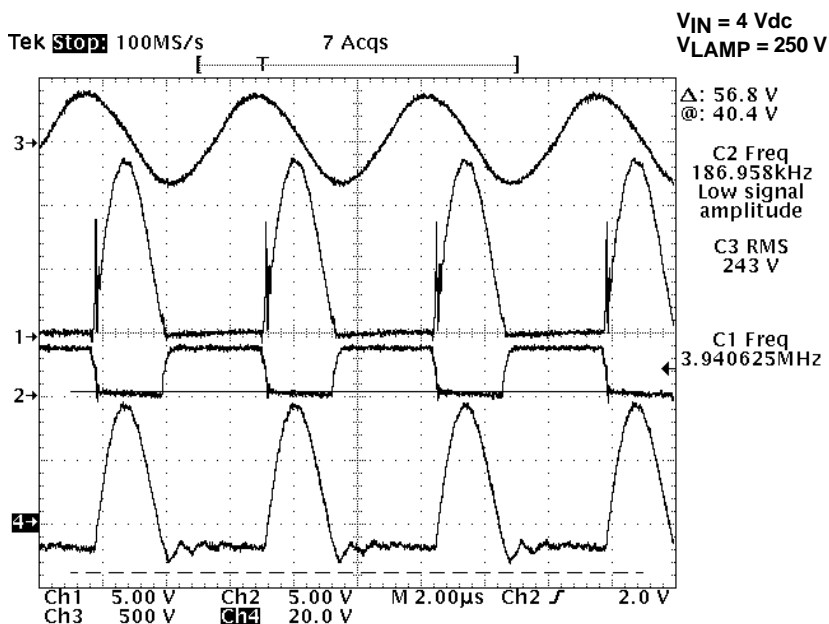


Figure 16. UCC3975 Resonant Flyback Waveforms

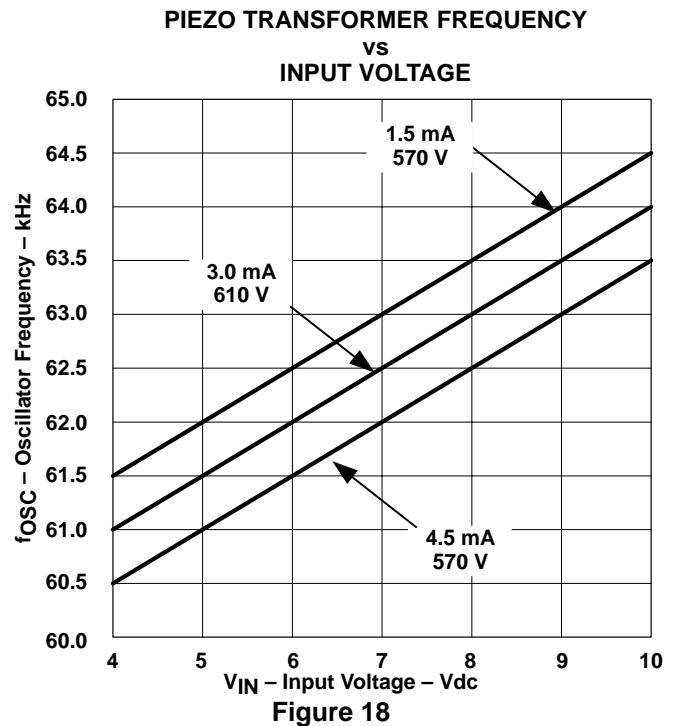
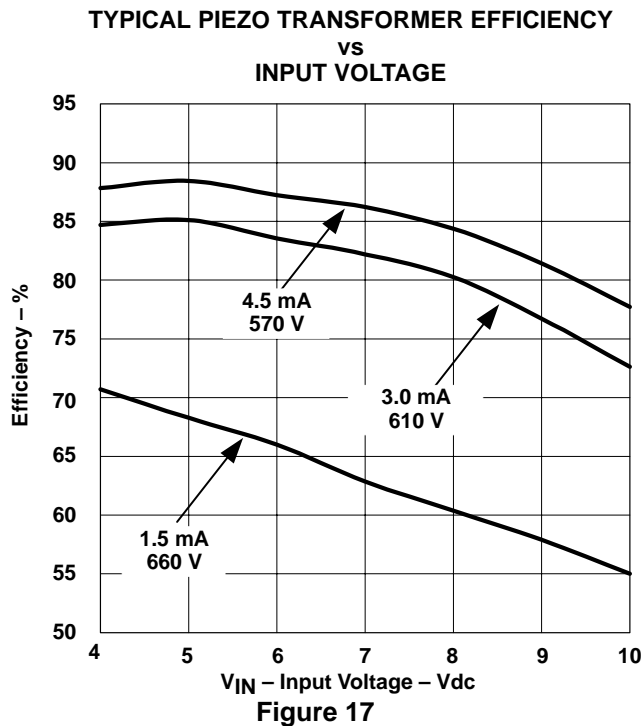
APPLICATION INFORMATION

analog dimming PZT performance

High efficiency can be achieved by selecting the best power topology while matching the lamp, input voltage and PZT characteristics. Figure 17 shows the performance of a 3-W rated multi-layer PZT operating a 600 V lamp using the push-pull topology at various input voltage and lamp current conditions. Electrical efficiency is greater than 85% at lower input voltages, decreasing at higher input voltages as the PZT gain is reduced. This circuit and lamp can operate from 2 Li-Ion cells with voltages between 5 V and 8.2 V. The same PZT and lamp would require three Li-Ion cells for the half-bridge topology but would yield similar efficiency.

Dimming by linearly reducing lamp current causes the efficiency to degrade since the PZT is operated at less than optimal gain (see 1.5 mA curve). Improved efficiency can be achieved by using burst mode dimming. This dimming method involves running the lamp at full power, but controlling average lamp current by modulating the on/off duty cycle at a frequency higher than the eye can detect (100 Hz, for example).

Figure 18 shows plots of PZT operating frequency over the same lamp conditions as Figure 17. As expected, frequency decreases at higher lamp currents as the PZT characteristics shift to a lower operating frequency when loaded (see Figure 2). Frequency increases linearly with input voltage, since the required V_{OUT}/V_{IN} gain to operate the lamp is decreased.



APPLICATION INFORMATION

open lamp shutdown/no-lock operation

Due to the high gain characteristics of the piezoelectric transformer, it is important that the operation of the power stage is suspended if an open lamp occurs. Figure 19 shows the output voltage of a piezoelectric transformer with no output load and driven with a 5-V_{RMS} sinusoid on the primary. The primary frequency is swept through the resonant frequency of the piezoelectric transformer. As seen in Figure 19 the output voltage approaches 2 kV_{RMS} with open lamp disabled, a gain of 400! If the input voltage were increased to 10 V_{RMS}, the output would reach 4 kV_{RMS} and possibly crack the PZT transformer.

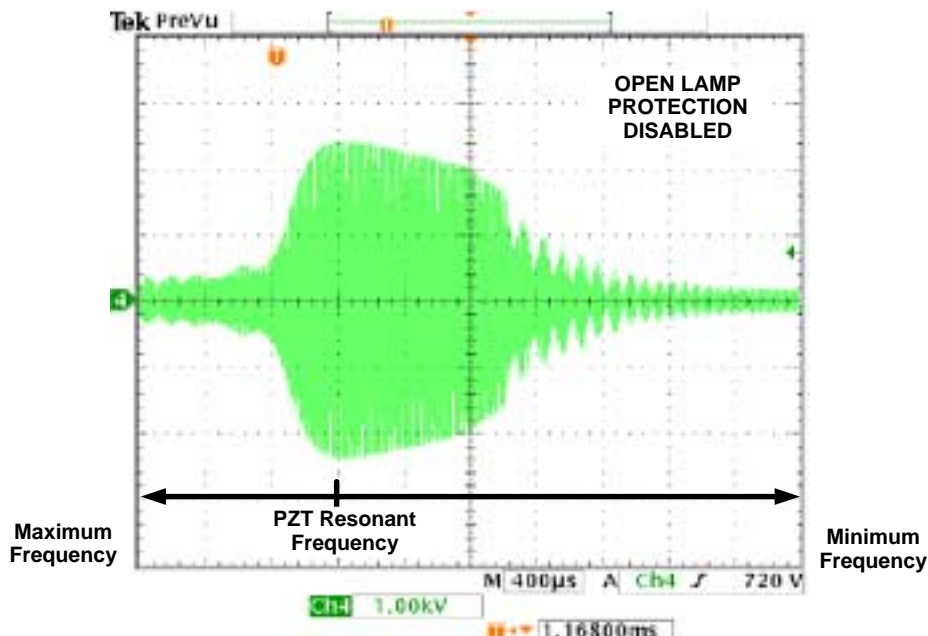


Figure 19. Damaging Voltages at Piezoelectric Transformer Secondary

In order to prevent damaging voltages at the piezoelectric transformer secondary, a 1.5-V comparator at the OPEN/SD pin is used to shutdown the converter if an open lamp is detected. The RMS secondary voltage at which an open lamp fault is triggered can be calculated using equation (17).

$$V_{OPEN} = \frac{(1.5 + V_{DIODE}) \times R_{HV}}{\sqrt{2} \times R_{OPEN}} \tag{17}$$

R_{HV} will typically consist of several inexpensive high impedance resistors to minimize current in the divider and to stand-off high voltage. R_{HV} can be replaced with a single high voltage capacitor if component count is an issue, however, impedance of the capacitor over frequency needs to be taken into consideration.

APPLICATION INFORMATION

open lamp shutdown/no-lock operation (continued)

Figure 20 shows the startup performance of the UCC397x family based system with a broken or open lamp. The open lamp trip level is typically set 20% to 50% higher than the required strike voltage of the lamp, in this example the open lamp trip level is set at a low 500 V_{RMS}. As seen in Figure 21, the lamp does not strike before the OPEN/SD pin reaches 1.5 V indicating an open lamp, the controller retries seven times before entering an error shutdown state (see the state diagram in the pin description section).

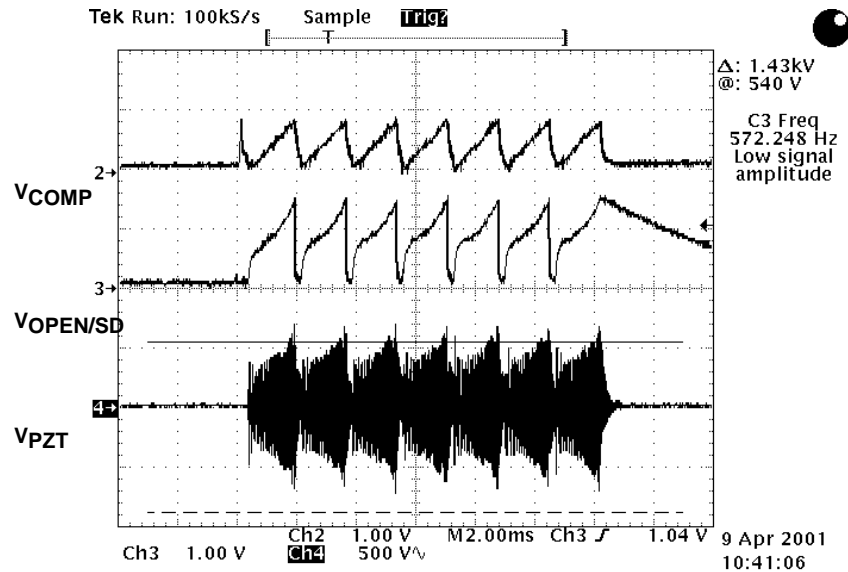


Figure 20. Start-Up With Open Lamp

A second type of failure mode occurs if the system fails to control lamp current. Assuming a proper feedback network, this failure can occur if the input voltage is too low to operate the lamp or if one of the components in the power path is open, shorted, or broken. These failures are detected at the COMP pin. Figure 21 shows the system response where the input voltage is not sufficient for lamp operation. At startup the frequency sweeps through the range until COMP reaches 2.5 V, the controller attempts seven retries before entering the error shutdown state. Notice the slope on the COMP pin (trace 2) changes as the system attempts to operate the lamp in a high gain region but is ultimately unsuccessful.

APPLICATION INFORMATION

open lamp shutdown/no-lock operation (continued)

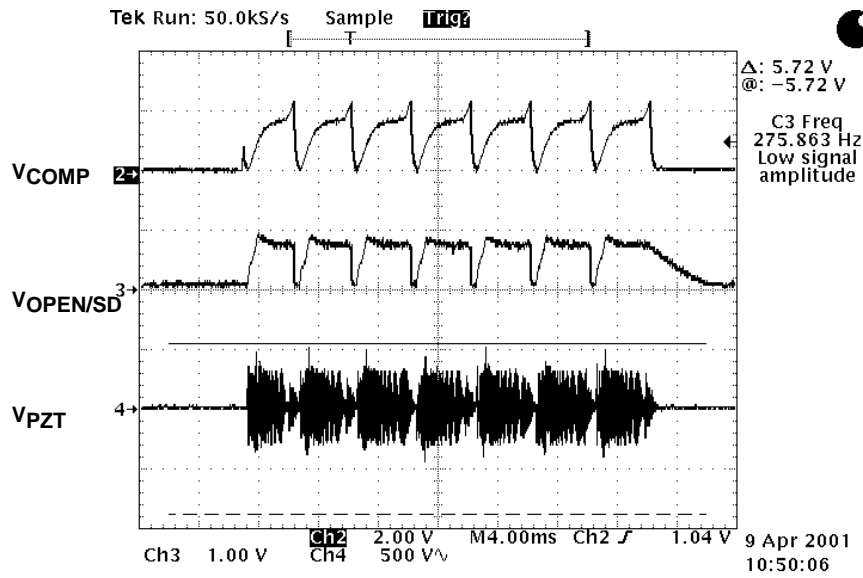


Figure 21. Start-Up With Insufficient Input Voltage

APPLICATION INFORMATION

burst dimming with the OPEN/SD pin

A burst dimming technique can be used with CCFLs when a wide dimming range is required, this technique can also yield better efficiency at light loads. Burst dimming is implemented by running the lamp at full current when on, where the on/off duty factor is controlled a low frequency to provide dimming. In order to prevent visible flicker, the burst frequency needs to be set higher than 80 Hz.

The UCC397x family is initially targeted for operating the PZT using analog dimming, however, burst dimming can be implemented by controlling the OPEN/SD pin directly with a square wave. Figure 22 shows burst dimming performance using the UCC3976 at 125 Hz and 50% duty cycle. In Figures 22–25, trace 1 is the drain connection of the external P- and N-Channel MOSFETs, trace 2 is the OPEN/SD pin which is externally driven with a 5-V square wave, trace 3 is the COMP pin which is used to lock the operating frequency and trace 4 is the lamp voltage. These scope graphics were captured with a digital oscilloscope, so aliasing is present in Figures 22–24. Referring back to Figure 22, when OPEN/SD is driven to 5 V the part is in shutdown and the controller is disabled. When OPEN/SD is forced to 0 V by the external source the controller goes through its startup sequence with COMP starting at 0 V allowing the PZT to strike the lamp and lock on the frequency required to regulate the lamp at full current. The size of the feedback capacitor determines the slew rate at which COMP can lock the system frequency which effects the achievable duty cycle of burst dimming. Fortunately, the feedback cap with burst dimming can be smaller than with analog dimming since the system small signal gain is lower at full lamp load. Figures 23 and 24 show burst dimming at approximately 10% and 90% duty cycle respectively. Figure 25 shows a close up of the startup sequence when OPEN/SD is pulled low. COMP is preconditioned to 0 V before switching begins and then allowed to ramp up. PZT secondary voltage ramps as the frequency decreases until the lamp strikes and operates. Strike voltage for the lamp is barely detectable since the lamp is warm and operating from the previous burst cycles.

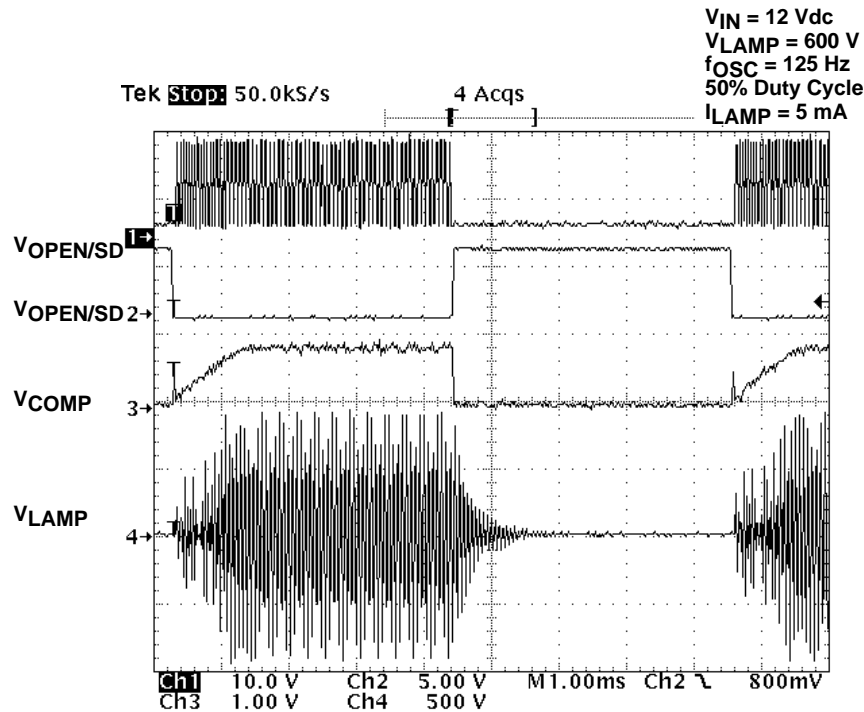


Figure 22. UCC3976 Burst Dimming at 50% Duty Cycle

TYPICAL WAVEFORMS

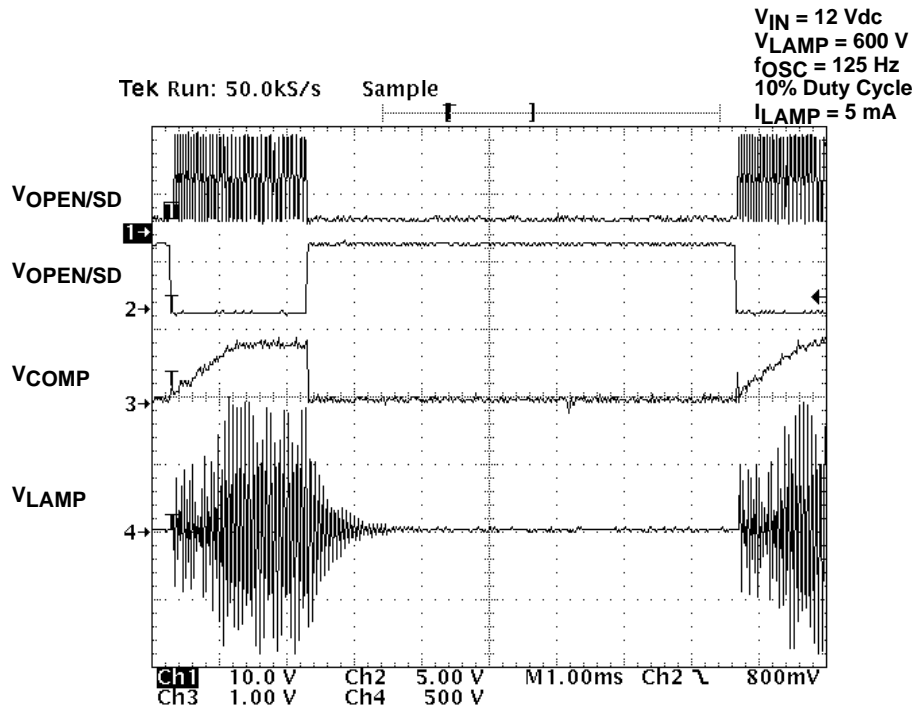


Figure 23. UCC3976 Externally Controlled Bursting Dimming at 10% Duty Cycle

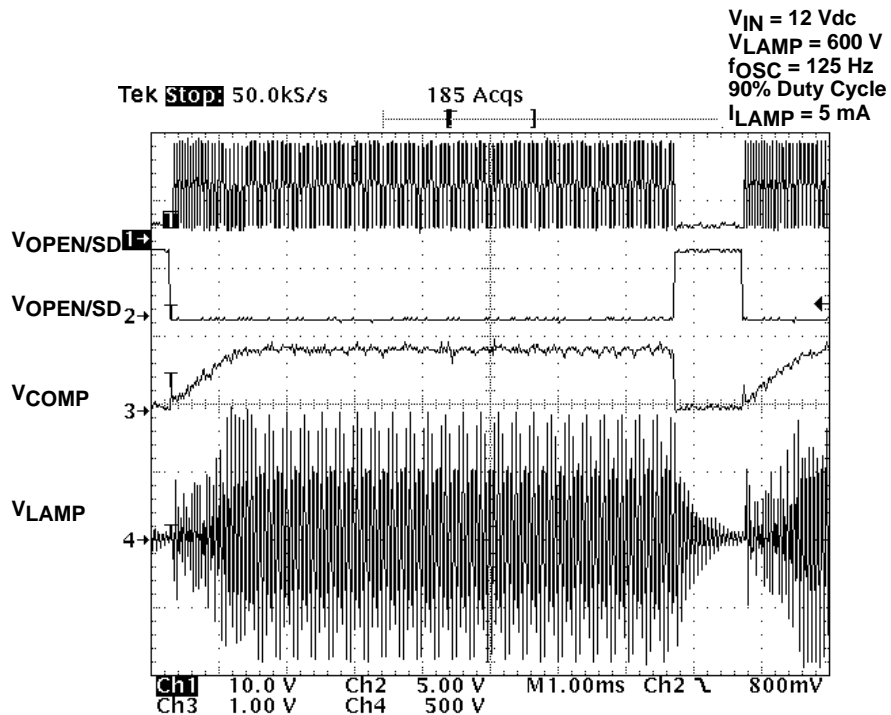


Figure 24. UCC3976 Externally Controlled Bursting Dimming at 90% Duty Cycle

TYPICAL WAVEFORMS

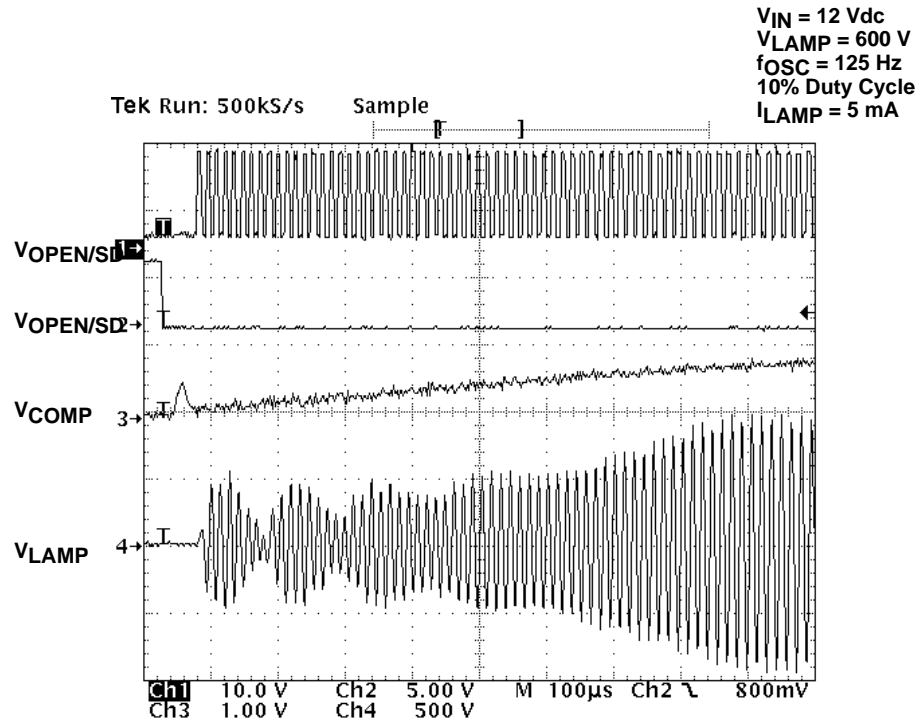


Figure 25. UCC3976 Close-Up of Bursting Dimming Operation at 10% Duty Cycle

PACKAGING INFORMATION

Orderable Device	Status ⁽¹⁾	Package Type	Package Drawing	Pins	Package Qty	Eco Plan ⁽²⁾	Lead/Ball Finish	MSL Peak Temp ⁽³⁾
UCC2975PW	ACTIVE	TSSOP	PW	8	150	Green (RoHS & no Sb/Br)	CU NIPDAU	Level-1-260C-UNLIM
UCC2975PWG4	ACTIVE	TSSOP	PW	8	150	Green (RoHS & no Sb/Br)	CU NIPDAU	Level-1-260C-UNLIM
UCC2976PW	ACTIVE	TSSOP	PW	8	150	Green (RoHS & no Sb/Br)	CU NIPDAU	Level-1-260C-UNLIM
UCC2976PWG4	ACTIVE	TSSOP	PW	8	150	Green (RoHS & no Sb/Br)	CU NIPDAU	Level-1-260C-UNLIM
UCC2977PW	ACTIVE	TSSOP	PW	8	150	Green (RoHS & no Sb/Br)	CU NIPDAU	Level-1-260C-UNLIM
UCC2977PWG4	ACTIVE	TSSOP	PW	8	150	Green (RoHS & no Sb/Br)	CU NIPDAU	Level-1-260C-UNLIM
UCC3975PW	ACTIVE	TSSOP	PW	8	150	Green (RoHS & no Sb/Br)	CU NIPDAU	Level-1-260C-UNLIM
UCC3975PWG4	ACTIVE	TSSOP	PW	8	150	Green (RoHS & no Sb/Br)	CU NIPDAU	Level-1-260C-UNLIM
UCC3976PW	ACTIVE	TSSOP	PW	8	150	Green (RoHS & no Sb/Br)	CU NIPDAU	Level-1-260C-UNLIM
UCC3976PWG4	ACTIVE	TSSOP	PW	8	150	Green (RoHS & no Sb/Br)	CU NIPDAU	Level-1-260C-UNLIM
UCC3977PW	ACTIVE	TSSOP	PW	8	150	Green (RoHS & no Sb/Br)	CU NIPDAU	Level-1-260C-UNLIM
UCC3977PWG4	ACTIVE	TSSOP	PW	8	150	Green (RoHS & no Sb/Br)	CU NIPDAU	Level-1-260C-UNLIM

⁽¹⁾ The marketing status values are defined as follows:

ACTIVE: Product device recommended for new designs.

LIFEBUY: TI has announced that the device will be discontinued, and a lifetime-buy period is in effect.

NRND: Not recommended for new designs. Device is in production to support existing customers, but TI does not recommend using this part in a new design.

PREVIEW: Device has been announced but is not in production. Samples may or may not be available.

OBSOLETE: TI has discontinued the production of the device.

⁽²⁾ Eco Plan - The planned eco-friendly classification: Pb-Free (RoHS), Pb-Free (RoHS Exempt), or Green (RoHS & no Sb/Br) - please check <http://www.ti.com/productcontent> for the latest availability information and additional product content details.

TBD: The Pb-Free/Green conversion plan has not been defined.

Pb-Free (RoHS): TI's terms "Lead-Free" or "Pb-Free" mean semiconductor products that are compatible with the current RoHS requirements for all 6 substances, including the requirement that lead not exceed 0.1% by weight in homogeneous materials. Where designed to be soldered at high temperatures, TI Pb-Free products are suitable for use in specified lead-free processes.

Pb-Free (RoHS Exempt): This component has a RoHS exemption for either 1) lead-based flip-chip solder bumps used between the die and package, or 2) lead-based die adhesive used between the die and leadframe. The component is otherwise considered Pb-Free (RoHS compatible) as defined above.

Green (RoHS & no Sb/Br): TI defines "Green" to mean Pb-Free (RoHS compatible), and free of Bromine (Br) and Antimony (Sb) based flame retardants (Br or Sb do not exceed 0.1% by weight in homogeneous material)

⁽³⁾ MSL, Peak Temp. -- The Moisture Sensitivity Level rating according to the JEDEC industry standard classifications, and peak solder temperature.

Important Information and Disclaimer: The information provided on this page represents TI's knowledge and belief as of the date that it is provided. TI bases its knowledge and belief on information provided by third parties, and makes no representation or warranty as to the accuracy of such information. Efforts are underway to better integrate information from third parties. TI has taken and continues to take reasonable steps to provide representative and accurate information but may not have conducted destructive testing or chemical analysis on incoming materials and chemicals. TI and TI suppliers consider certain information to be proprietary, and thus CAS numbers and other limited information may not be available for release.

In no event shall TI's liability arising out of such information exceed the total purchase price of the TI part(s) at issue in this document sold by TI to Customer on an annual basis.

IMPORTANT NOTICE

Texas Instruments Incorporated and its subsidiaries (TI) reserve the right to make corrections, modifications, enhancements, improvements, and other changes to its products and services at any time and to discontinue any product or service without notice. Customers should obtain the latest relevant information before placing orders and should verify that such information is current and complete. All products are sold subject to TI's terms and conditions of sale supplied at the time of order acknowledgment.

TI warrants performance of its hardware products to the specifications applicable at the time of sale in accordance with TI's standard warranty. Testing and other quality control techniques are used to the extent TI deems necessary to support this warranty. Except where mandated by government requirements, testing of all parameters of each product is not necessarily performed.

TI assumes no liability for applications assistance or customer product design. Customers are responsible for their products and applications using TI components. To minimize the risks associated with customer products and applications, customers should provide adequate design and operating safeguards.

TI does not warrant or represent that any license, either express or implied, is granted under any TI patent right, copyright, mask work right, or other TI intellectual property right relating to any combination, machine, or process in which TI products or services are used. Information published by TI regarding third-party products or services does not constitute a license from TI to use such products or services or a warranty or endorsement thereof. Use of such information may require a license from a third party under the patents or other intellectual property of the third party, or a license from TI under the patents or other intellectual property of TI.

Reproduction of TI information in TI data books or data sheets is permissible only if reproduction is without alteration and is accompanied by all associated warranties, conditions, limitations, and notices. Reproduction of this information with alteration is an unfair and deceptive business practice. TI is not responsible or liable for such altered documentation. Information of third parties may be subject to additional restrictions.

Resale of TI products or services with statements different from or beyond the parameters stated by TI for that product or service voids all express and any implied warranties for the associated TI product or service and is an unfair and deceptive business practice. TI is not responsible or liable for any such statements.

TI products are not authorized for use in safety-critical applications (such as life support) where a failure of the TI product would reasonably be expected to cause severe personal injury or death, unless officers of the parties have executed an agreement specifically governing such use. Buyers represent that they have all necessary expertise in the safety and regulatory ramifications of their applications, and acknowledge and agree that they are solely responsible for all legal, regulatory and safety-related requirements concerning their products and any use of TI products in such safety-critical applications, notwithstanding any applications-related information or support that may be provided by TI. Further, Buyers must fully indemnify TI and its representatives against any damages arising out of the use of TI products in such safety-critical applications.

TI products are neither designed nor intended for use in military/aerospace applications or environments unless the TI products are specifically designated by TI as military-grade or "enhanced plastic." Only products designated by TI as military-grade meet military specifications. Buyers acknowledge and agree that any such use of TI products which TI has not designated as military-grade is solely at the Buyer's risk, and that they are solely responsible for compliance with all legal and regulatory requirements in connection with such use.

TI products are neither designed nor intended for use in automotive applications or environments unless the specific TI products are designated by TI as compliant with ISO/TS 16949 requirements. Buyers acknowledge and agree that, if they use any non-designated products in automotive applications, TI will not be responsible for any failure to meet such requirements.

Following are URLs where you can obtain information on other Texas Instruments products and application solutions:

Products

Amplifiers	amplifier.ti.com
Data Converters	dataconverter.ti.com
DSP	dsp.ti.com
Clocks and Timers	www.ti.com/clocks
Interface	interface.ti.com
Logic	logic.ti.com
Power Mgmt	power.ti.com
Microcontrollers	microcontroller.ti.com
RFID	www.ti-rfid.com
RF/IF and ZigBee® Solutions	www.ti.com/lprf

Applications

Audio	www.ti.com/audio
Automotive	www.ti.com/automotive
Broadband	www.ti.com/broadband
Digital Control	www.ti.com/digitalcontrol
Medical	www.ti.com/medical
Military	www.ti.com/military
Optical Networking	www.ti.com/opticalnetwork
Security	www.ti.com/security
Telephony	www.ti.com/telephony
Video & Imaging	www.ti.com/video
Wireless	www.ti.com/wireless

Mailing Address: Texas Instruments, Post Office Box 655303, Dallas, Texas 75265
Copyright © 2008, Texas Instruments Incorporated